

# auto electrical parts

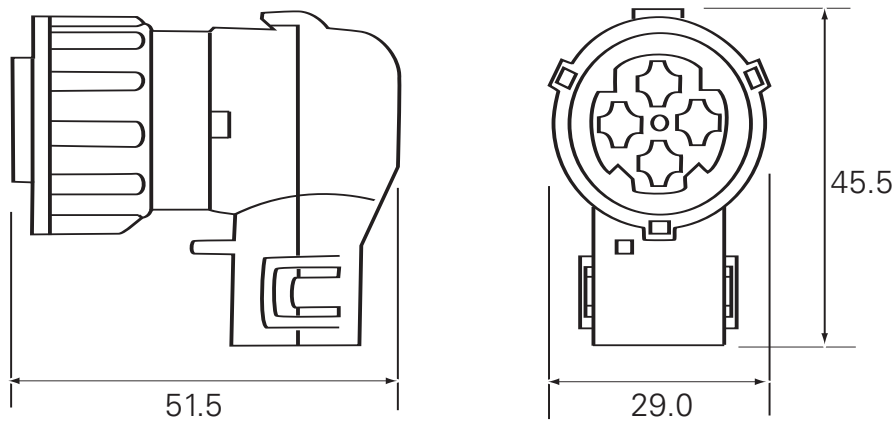
## Technical Information Sheet

### Part No. 0-326-54

4 pole black nylon Schlemmer 90° DIN connector kit for use with 10NW tubing. Supplied with terminals and seals.



### Technical Drawing (not to scale)



### Specification

Type	4 pole connector
Tubing size	10 NW
Material - plug	Polybutyleneterephatalate/Polyamide
- plug housing	Polybutyleneterephatalate
- tubing interface	Nylon (polyamide)
- connector seals	Silicone
- terminal	Nickel plated brass
Terminal	Crimp contact
Cable size	0.5 - 1.0mm <sup>2</sup>
Seals	0.35 - 1.0mm <sup>2</sup>
Temperature range	-40°C to + 120°C
Protection	IP67

The information contained in this document is correct to the best of our knowledge at the time of printing. However, specifications may change at any time without notice.